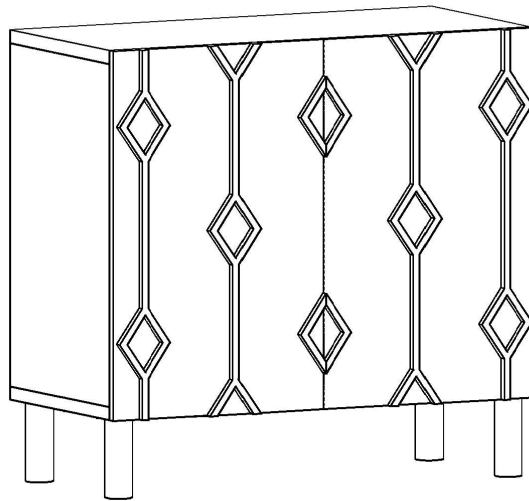


MERCANA

ART | FURNITURE | LIGHTING | DECOR



item 70643

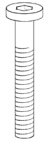
name Heera Accent Cabinet

size 36x16x32 in

Different by design. 
www.mercana.com

3250 189th Street
Surrey BC, Canada
V3Z 0L5

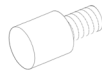
e: artinfo@mercana.com
p: 800.461.1666
f: 888.919.1666



A (X-20)



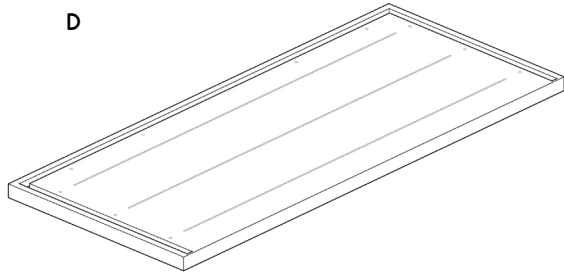
B



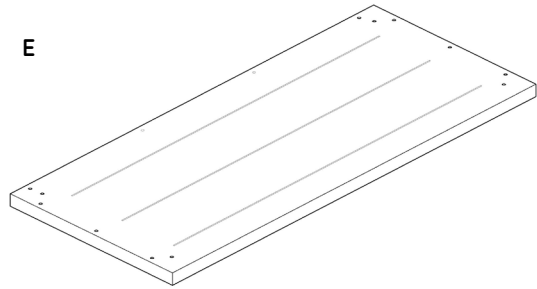
C (X-4)

Additional tools required:

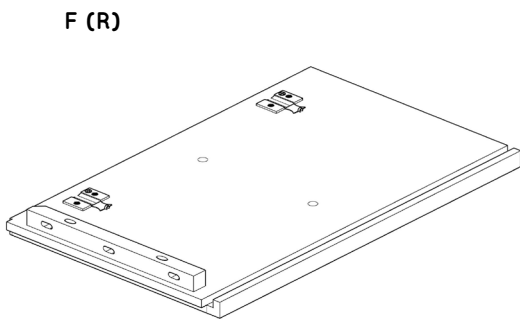
Phillips head screwdriver - size (#4)



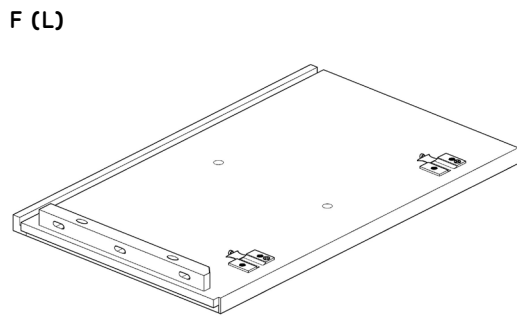
D



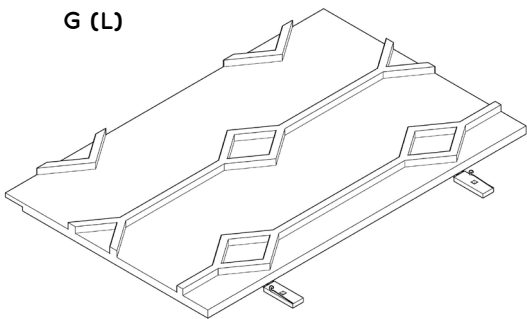
E



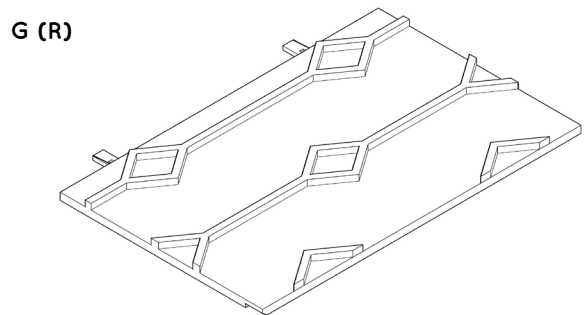
F (R)



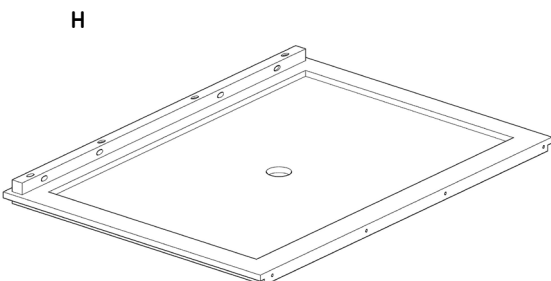
F (L)



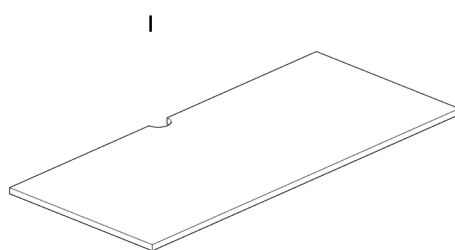
G (L)



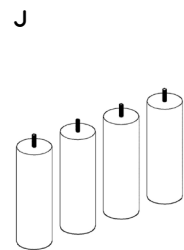
G (R)



H

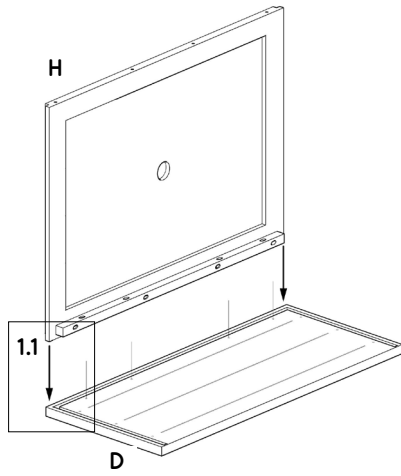


I

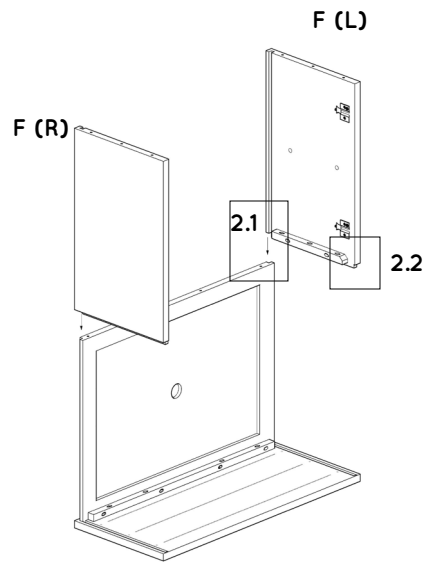


J

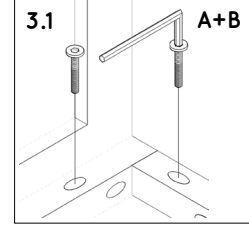
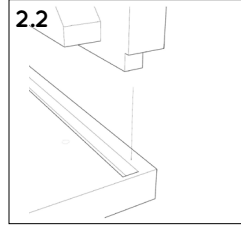
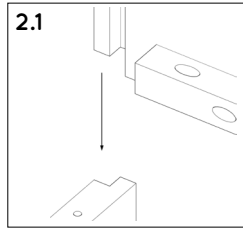
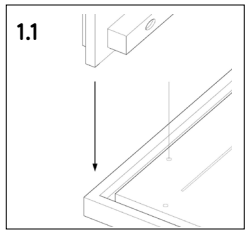
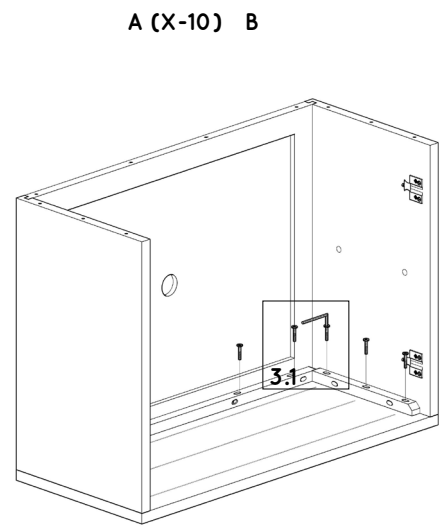
1.



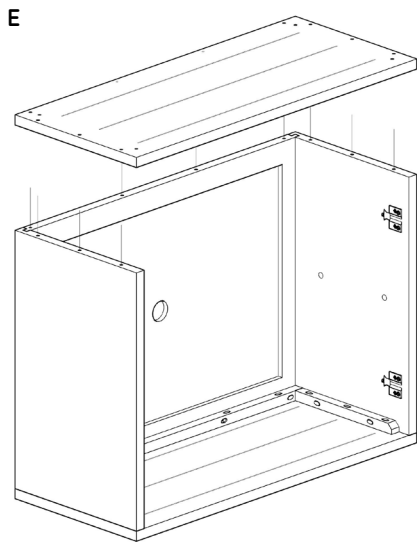
2.



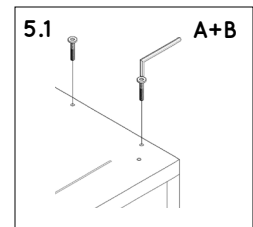
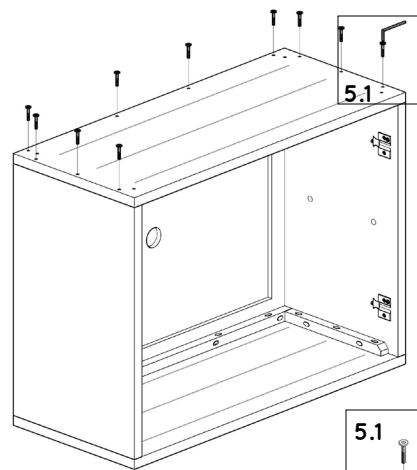
3.



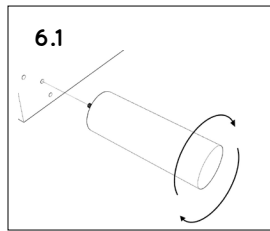
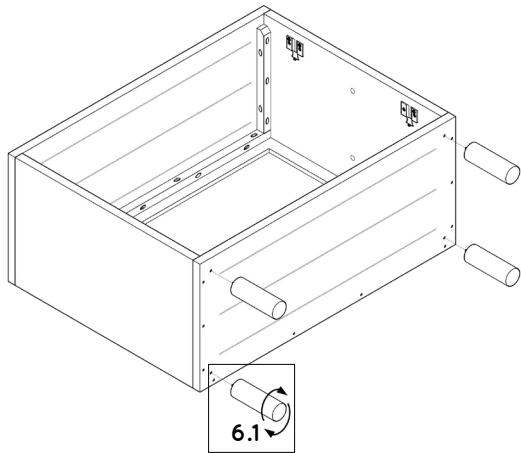
4.



5. A (X-10) B

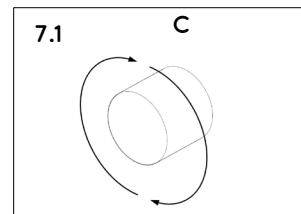
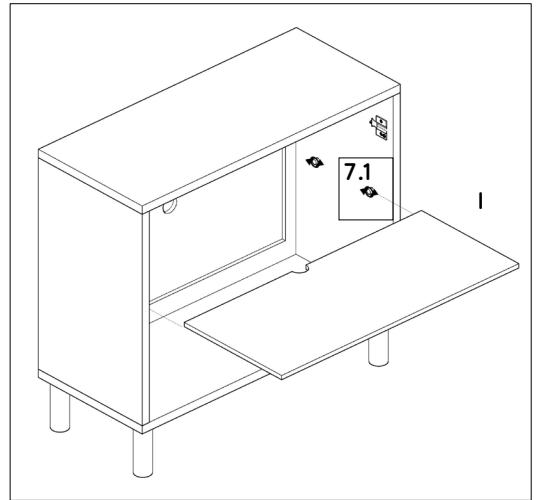


6.

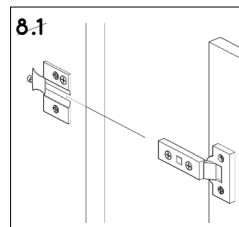
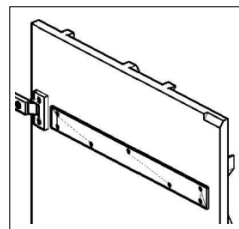
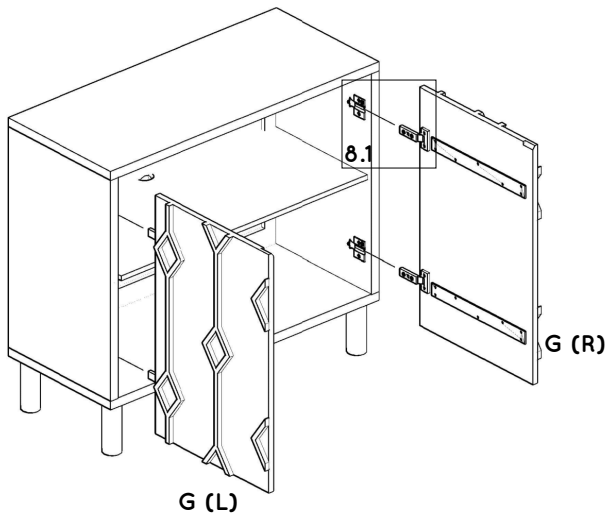


7.

C (X-4)



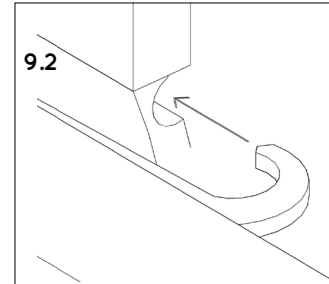
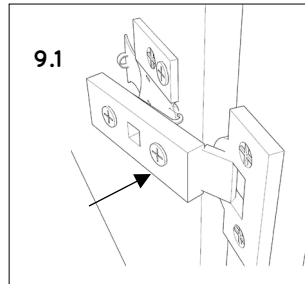
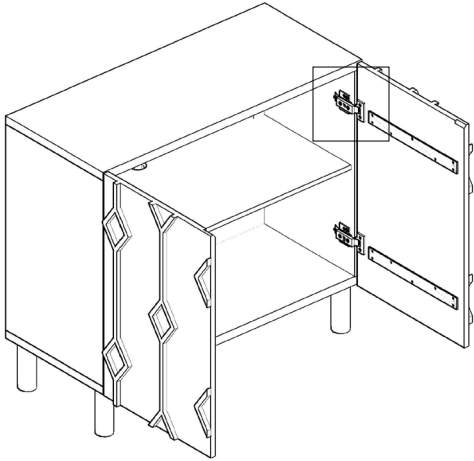
8.



9.

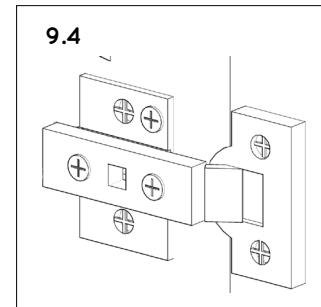
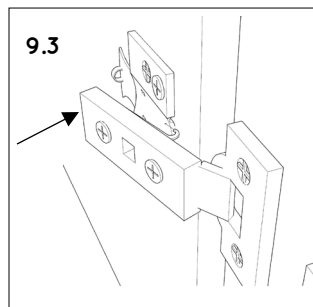
9.1. Place hinge arm on an angle, with the end close to the door to the front of the mounting plate.

9.2. slot in the hook on the front of the hinge arm to the front of mounting plate.



9.3. Push on the back of the hinge arm to the back of the mounting plate.

9.4. You will hear a click when they are connected.

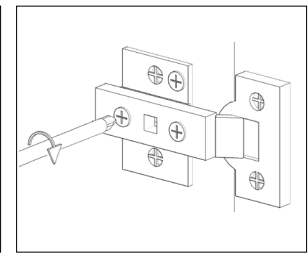
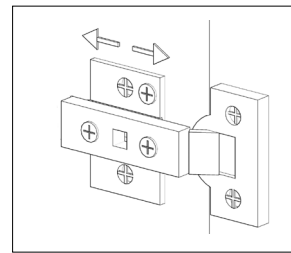
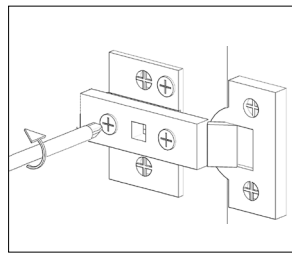
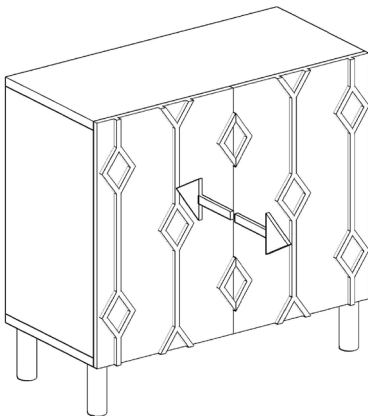
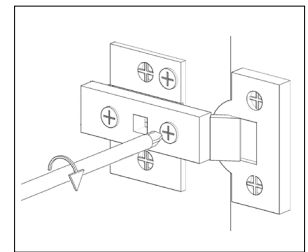
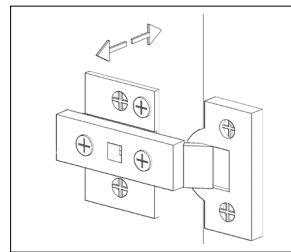
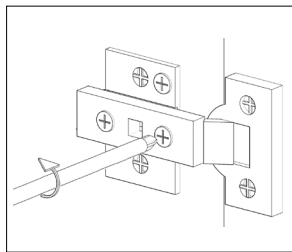
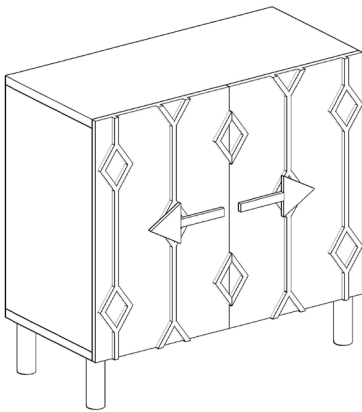
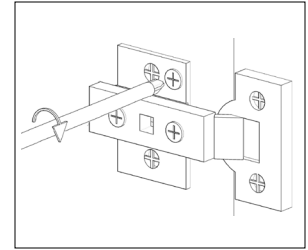
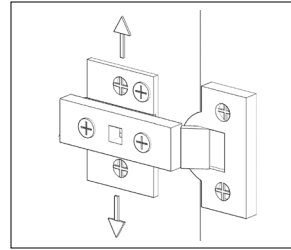
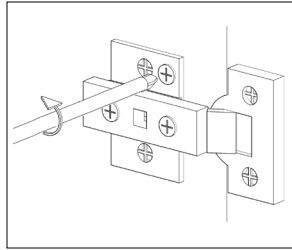
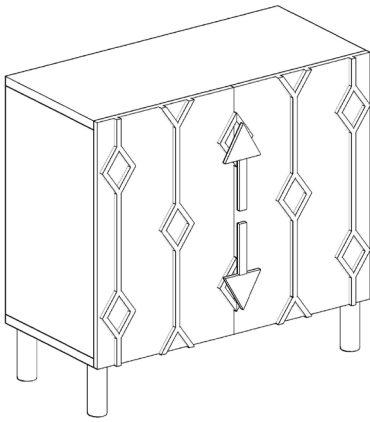


9.5. Repeat this for all hinges.

10.

Additional tools required:

Phillips head screwdriver - size #4



11.

